

HG High Ripple Series

- High ripple current compared with HK series
- Load life of 3000 hours at 105°C
- Complied to the RoHS directive

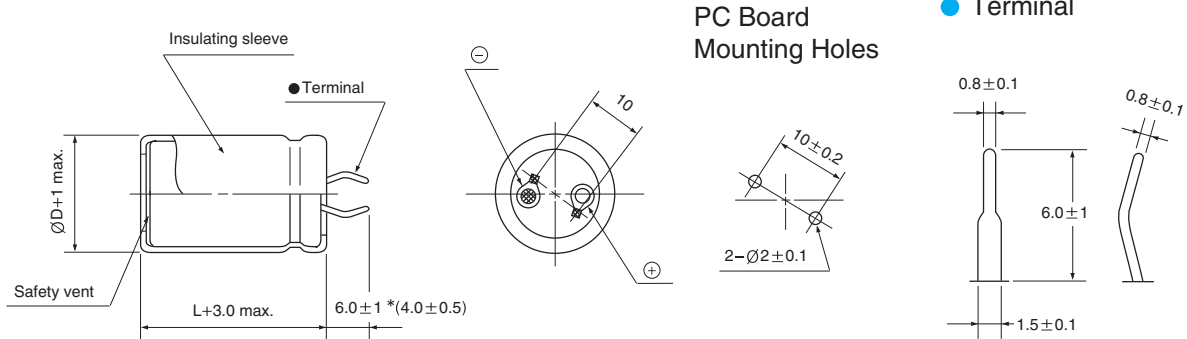
HK → **HG**
High Ripple



Item	Characteristics			
Operating temperature range	WV < 350 : -40 ~ +105°C, WV ≥ 350 : -25 ~ +105°C			
Capacitance tolerance	±20% at 120Hz, 20°C			
Leakage current max.	$I = 3\sqrt{CV}$ (µA) (after 5 minutes)			
Dissipation factor max. (at 120Hz, 20°C)	Capacitance > 1000µF : tanδ increases by 0.01 for each 1000µF from below value.			
	WV	250	400	450
	tanδ	0.15	0.15	0.20
Load life (after application of the rated voltage for 3000 hours at 105°C)	Leakage current	Less than specified value		
	Capacitance change	Within ±20% of initial value		
	tanδ	Less than 200% of specified value		
Shelf life (at 105°C)	After 1000 hours no load test, leakage current, capacitance and tanδ are same as load life value. The measurement shall be performed at 20°C by the KS C IEC 60384 - 4			

DRAWING

Unit : mm



* Shorter terminal(4.0±0.5) is also available upon request.
Terminal length of height 20mm products is applied shorter terminal to standard terminal type.

DIMENSIONS & MAXIMUM PERMISSIBLE RIPPLE CURRENT

WV µF	250				400				450			
	22	25.4	30	35	22	25.4	30	35	22	25.4	30	35
150									22×35 1.10	25.4×30 1.10		
180	22×20 0.88	25.4×20 0.89			22×35 1.26	25.4×25 1.25	30×20 1.29		22×40 1.32	25.4×35 1.32	30×25 1.29	35×25 1.32
220	22×25 0.93	25.4×20 1.06			22×40 1.46	25.4×30 1.47	30×25 1.43			25.4×35 1.52	30×30 1.50	35×25 1.46
330	22×30 1.35	25.4×25 1.39	30×20 1.43			25.4×40 1.95	30×30 1.93	35×25 1.89			30×35 2.03	35×30 2.20
470	22×40 1.78	25.4×30 1.74	30×25 1.80				30×40 2.20	35×30 2.48				35×40 2.59
560	22×45 2.02	25.4×35 2.01	30×25 1.98	35×25 2.01				35×35 2.82				35×45 2.93
680		25.4×40 2.43	30×30 2.29	35×25 2.34	← Case size ØD×L (mm)			35×40 3.24				35×50 3.43

↑ Ripple current (Arms) at 105°C, 120Hz

FREQUENCY COEFFICIENT OF PERMISSIBLE RIPPLE CURRENT

WV	Frequency	50Hz	120Hz	300Hz	1kHz	10kHz ≤
250	50Hz	0.85	1.00	1.20	1.25	1.45
	120Hz	0.85	1.00	1.15	1.20	1.40